

36" Infrared Salamander Broiler

(Range Mount or Wall Mount)

MODELS:

ATSB-36

Standard Features

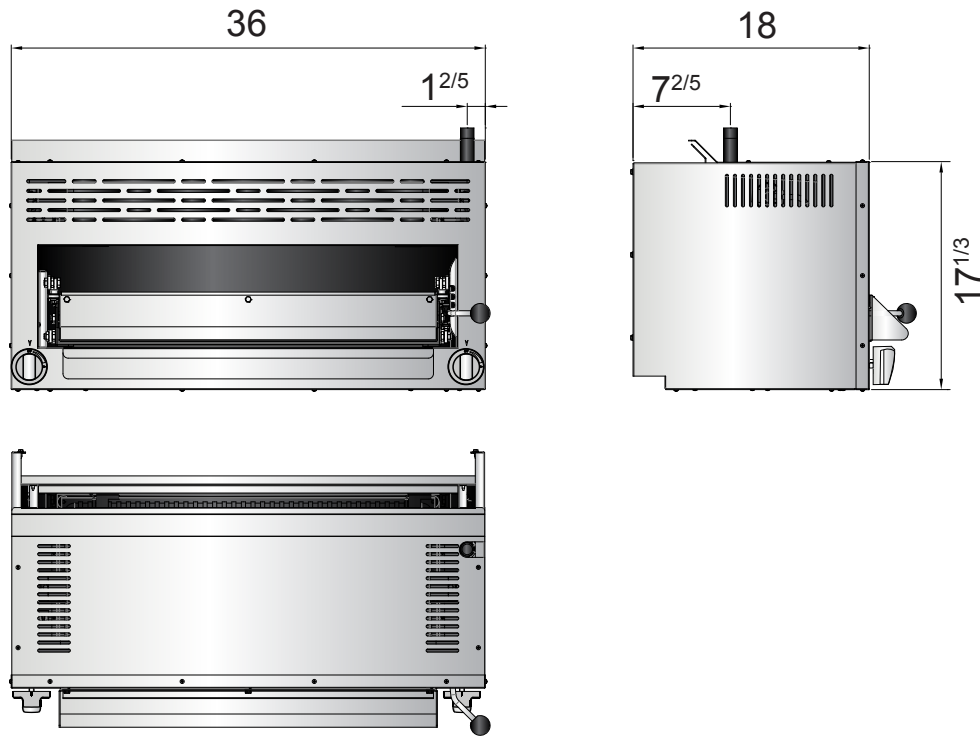
- Stainless steel exterior and interior
- Dual valve controls for left and right-side independent operation
- Two(2) 21,500 BTU high efficiency ceramic infrared burners and standby pilots – totals 43,000 BTU's
- 1 minute pre-heat time
- 4 position rack adjustments on salamander broiler
- One(1) removable broiler chrome rack
- Removable crumb/grease tray
- Wall mounts directly to the wall without a mounting kit
- Range mount kit ships with salamander broiler
- Wall mount bracket included



SPECIFICATIONS

Model	Burners and Control Method	Gas Type	Intake-tube Presssure (in.W.C.)	Per BTU B.T.U./h	Total BTU B.T.U./h	Regulator	Exterior Dimensions (inch)	Net Weight (lbs)	Gross Weight (lbs)
ATSB-36	2 Burners Independent Manual Control	NG	5	21,500	43,000	5" w.c.	36×18×17 ^{1/3}	143	169
		LP	10	21,500	43,000	10" w.c.			

PLAN VIEW



Stainless steel exterior



Crumb/grease tray



Stainless steel knobs



Broiler chrom rack



4 position controller

