



"WE MAKE THE KITCHEN BETTER!"

Toll Free: 855-855-0399 Email: info@atosausa.com

www.atosa.com | www.atosausa.com

California, Colorado, Florida, Georgia, Illinois, Massachusetts, New Jersey, Ohio, Texas, Washington

Top Mount 1/2 Door Reach In Refrigerator

MODELS:
MBF8010GR / MBF8010GRL

Standard Features:

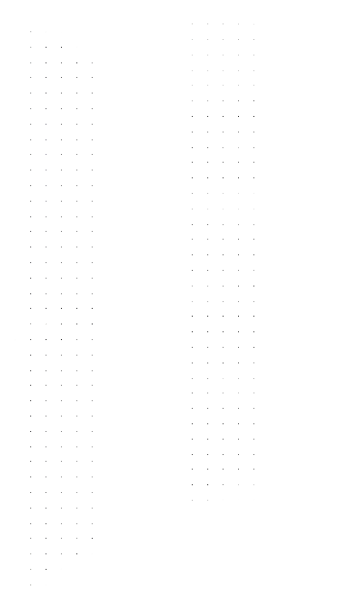
- Top mount compressor with environmentally friendly R290 refrigerant
- Stainless steel exterior & interior
- Dixell digital controller
- Maintains temperatures between -33°F – 40°F
- LED interior light(s)
- Recessed door handle(s)
- Door lock(s) standard
- Magnetic door gasket(s) standard for positive door seal
- Pre-installed casters
- Three(3) pre-installed shelves per section
- Down duct refrigeration to ensure even distribution of air

Optional Features:

- Extra shelves – includes 4 shelf clips per shelf
- 4" casters



MBF8010GR



MBF8010GRL

*L indicates left hand model

For the best results of food preservation we recommend setting your refrigerator between 33 °F - 38 °F

1. Don't forget to leave the unit some room to breathe!
2. Please clean the condenser frequently to give the unit more fresh air.



2 YEAR PARTS AND LABOR WARRANTY (US ONLY)
5 YEAR COMPRESSOR PART WARRANTY (US ONLY)





"WE MAKE THE KITCHEN BETTER!"

Toll Free: 855-855-0399 Email: info@atosausa.com

www.atosa.com | www.atosausa.com

California, Colorado, Florida, Georgia, Illinois, Massachusetts, New Jersey, Ohio, Texas, Washington

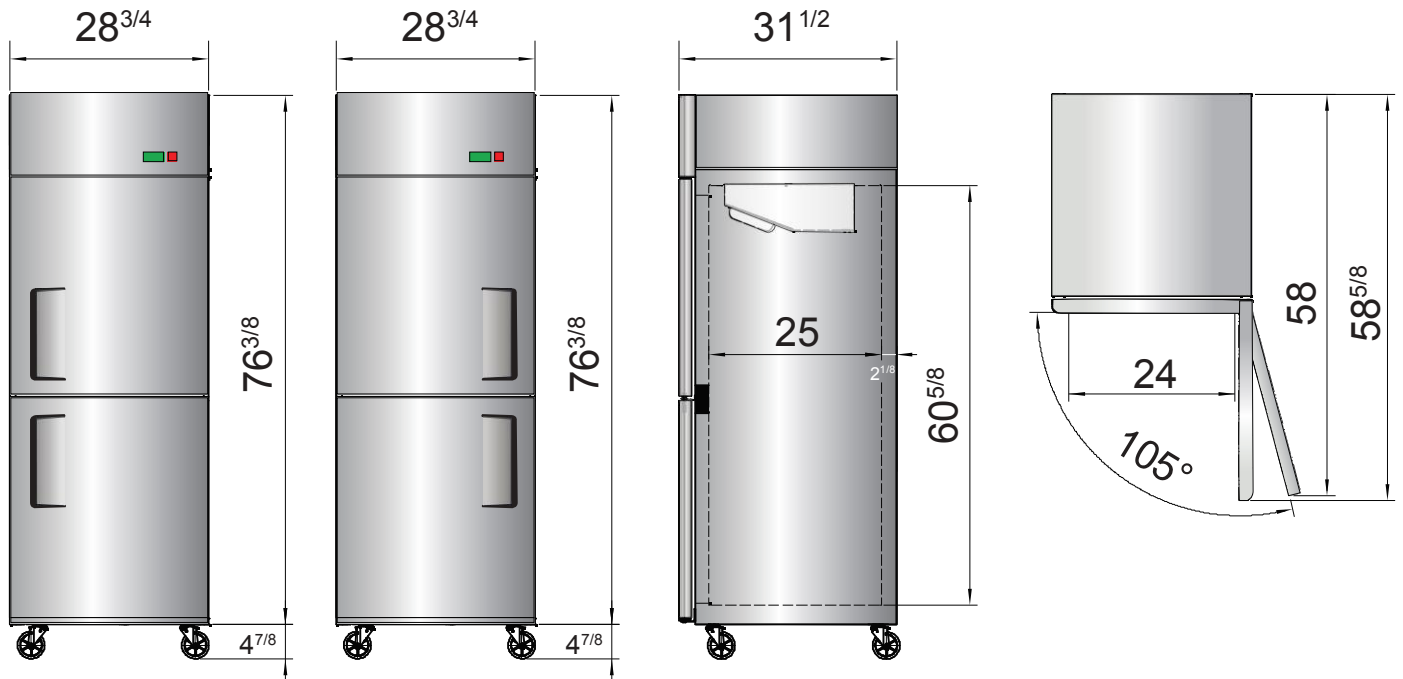
SPECIFICATIONS

Model	Doors	Cu.Ft	Shelves	Exterior Dimensions (WxDxH)	Casters	Weight	HP	Voltage	Amps	Refrigerant
MBF8010GR	2	21.4	3	28 ^{3/4} ×31 ^{1/2} ×81 ^{1/4}	4inch	286lbs	1/6	115V/60Hz	4	R290
MBF8010GRL										

PLAN VIEW

MBF8010GR

MBF8010GRL



Casters

Epoxy Shelves

Door Lock

Down Duct

Temperature Control



NEMA 5-15P

