



“WE MAKE THE KITCHEN BETTER!”

Toll Free: 855-855-0399 Email: info@atosausa.com
www.atosa.com / www.atosausa.com
California, Colorado, Florida, Georgia, Illinois,
Massachusetts, New Jersey, Ohio, Texas, Washington

Top Mount Reach-In Freezers

MODELS:
MBF8001GR / MBF8002GR / MBF8003

Standard Features:

- Top Mount Compressor with environmentally Friendly R290 refrigerant
- Stainless Steel Exterior & Interior
- Dixell Digital Controller
- Maintains temperatures between -8°F – 0°F
- LED interior light (s)
- Recessed Door Handle(s)
- Door locks(s) standard
- Magnetic door gasket(s) standard for positive door seal
- Pre-Installed casters
- Three (3) Pre-Installed shelves per section
- Down Duct Refrigeration to Ensure even distribution of air



MBF8001GR



MBF8002GR



MBF8003

Optional Features:

- Extra Shelves – includes 4 shelf clips per shelf
- 4” Casters

For the best results of food preservation we recommend setting your freezer between 0°F - 8 °F

1. Don't forget to leave the unit some room to breathe!
2. Please clean the condenser frequently to give the unit more fresh air.



2 YEAR PARTS AND LABOR WARRANTY (US ONLY)
5 YEAR COMPRESSOR PART WARRANTY (US ONLY)





“WE MAKE THE KITCHEN BETTER!”

Toll Free: 855-855-0399 Email: info@atosausa.com

www.atosa.com | www.atosausa.com

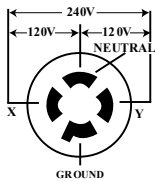
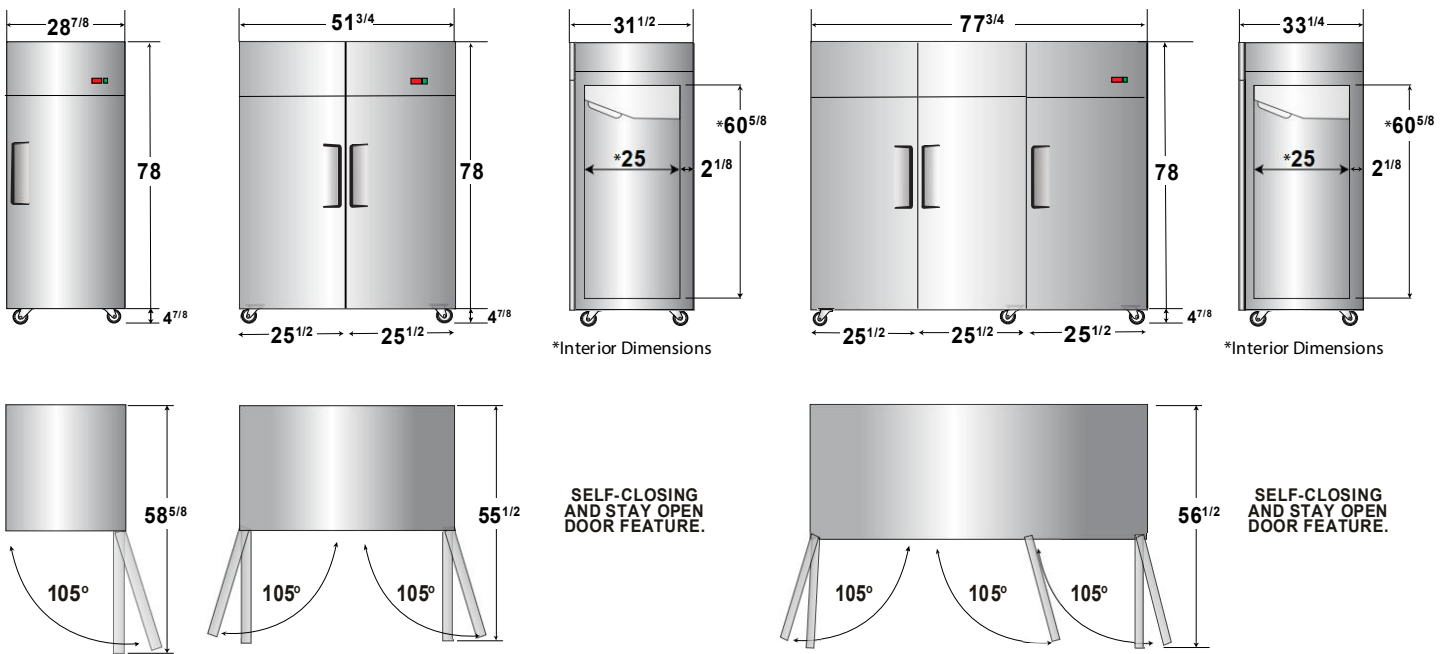
California, Colorado, Florida, Georgia, Illinois, Massachusetts, New Jersey, Ohio, Texas, Washington

SPECIFICATIONS

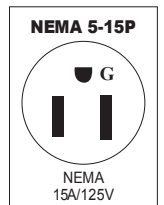
Model	Doors	Cu.Ft	Shelves	Exterior Dimensions (WxDxH)	Castors	Weight (LBS)	HP	Voltage	Amps	Refrigerant
MBF8001GR	1	21.4	3	28 ^{7/8} x 31 ^{1/2} x 82 ^{7/8}	4 inch	267 lbs	1/2	115/60/1	6.3	R290
MBF8002GR	2	43.16	6	51 ^{3/4} x 31 ^{1/2} x 82 ^{7/8}	4 inch	403 lbs	3/4	115/60/1	8.6	R290
MBF8003GR	3	69.2	9	77 ^{3/4} x 33 ^{1/4} x 82 ^{7/8}	4 inch	575 lbs	1	115/208-230/60/1	5.5	R-404a

PLAN VIEW

MBF8001GR / MBF8002GR / MBF8003GR



115/208-230/60/1
NEMA-L14-20R
Unit completely pre-wired at factory and ready for final connection to a 115/208-230/60Hz single-phase - 20 amp dedicated outlet. Cord and plug set included.
**MBF8003 Only*



Castors Epoxy Shelves Door Lock Down Duct Temperature Control



2 YEAR PARTS AND LABOR WARRANTY (US ONLY)
3 YEAR ADDITIONAL COMPRESSOR PART WARRANTY (US ONLY)

Atosa International
www.atosa.com

Atosa USA
www.atosausa.com

