

REFRIGERATOR MANUFACTURER
Turbo air
 more durable, efficient, beautiful

4184 E. Conant St.
 Long Beach, CA 90808
 Tel. 310-900-1000
 Fax. 310-900-1077
www.turboairinc.com

Project :	
Model # :	
Item # :	Qty :
Available W/H :	
Approval :	

Curved Glass Bakery Cases

Display Cases
 Bakery Cases - Refrigerated Cases

Model : TCGB-36-2



* Red wine and white color
 come standard

≡ FEATURES & BENEFITS ≡

- Attractive, elegant, glass sided Euro design**
 Curved tempered front glass and minimal frame provide full product visibility to optimize display effects. Its elegant contemporary euro design and luxurious wine colored case will not only enhance any store atmosphere but also will keep product presentation at its best and beautiful.
- Environmentally friendly, efficient refrigeration system**
 Turbo Air's refrigerators are designed with oversized and balanced environmentally friendly R-134A (CFC Free) refrigeration. These include large evaporators and condensers for faster cooling and balanced temperature throughout the cabinet.
- Cantilevered wired shelves adjustable up and down, tilted**
- 304 stainless steel floor and airflow grille**
- High-density polyurethane insulation**
 The entire cabinet structure is foamed-in-place using high density, CFC free polyurethane insulation.
- Self-contained system, no plumbing required**
- Simple plug-in installation**
- Four point leveling system**
- Sliding rear doors for product loading & unloading**
- Heavy duty, white PE coated wire shelves**
- Safety shielded top fluorescent light lamp**
- Rear access of compressor compartment for quick and easy service**
- Refrigerated bakery case holds avg. 33°F ~ 41°F for fresher bakery products**
- Recommended operating conditions**
 TCGB models are designed to operate in environments where temperature & humidity do not exceed 75°F and 55% relative humidity.



Model	CU./FT.	# of Shelves	HP	AMPS	Crated Weight (lbs.)	L x D x H (inches)
TCGB-36-2	10.9	2	1/3	6.5	537	36 1/2 x 34 1/4 x 50 1/8

Curved Glass Bakery Cases

Display Cases
Bakery Cases - Refrigerated Cases

Model : TCGB-36-2

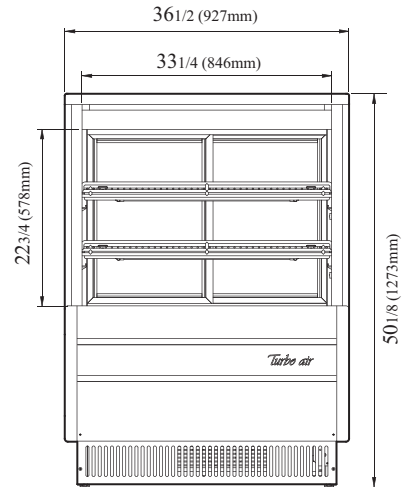
ELECTRICAL DATA	
Voltage	115/60/1
Plug Type	Ⓜ NEMA 5-15P
Full Load Amperes	6.5
Compressor HP	1/3
Refrigerant	R-134A
DIMENSIONAL DATA	
Net Capacity cu. ft.	10.9
Ext. Length Overall in.	36 1/2 (927mm)
Ext. Depth Overall in.	34 1/4 (870mm)
Ext. Height Overall in.	50 1/8 (1273mm)
Int. Length Overall in.	33 1/4 (846mm)
Int. Depth Overall in.	27 3/4 (705mm)
Int. Height Overall in.	22 3/4 (578mm)
Net Weight lbs.	417
Gross Weight lbs.	537
# of Shelves	2
Self Size	32 3/8 x 15 3/4, 32 3/8 x 17 3/4

Design and specifications subject to change without notice.
Actual shipping weight may differ due to extra packing materials for product protection.

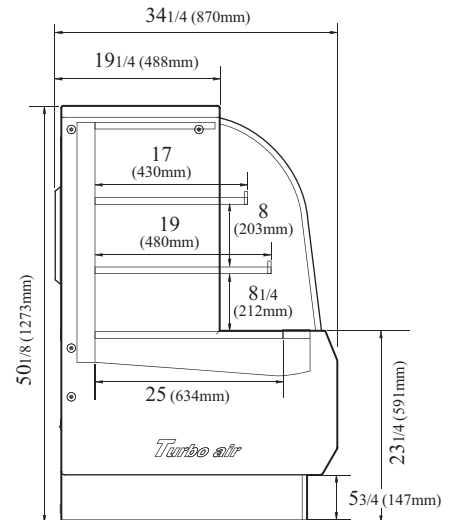
- **WARRANTY :** 2 Years Parts and Labor Warranty
Additional 3 Years Warranty on Compressor

PLAN VIEW

(unit : inch)



FRONT VIEW



SIDE VIEW

Ver.201501



- Turbo Air : 800-627-0032
- GK : 800-500-3519
- Warranty : 800-381-7770
- AC : 888-900-1002

REFRIGERATOR MANUFACTURER
Turbo air

GERMAN
KNIFE

RADIANCE

GREEN WORLD

AIR CONDITIONER MANUFACTURER
Turbo air